



Series 6620 : Positive Displacement Flowmeter

Legal Metrology approved flowmeters with special materials of construction suitable for highly corrosive acids and chemicals



Introduction

The Fluidyne P.D. flowmeters are based on the time-tested oscillating piston mechanism. A single moving component in the assembly ensures extremely reliable operation for long periods.

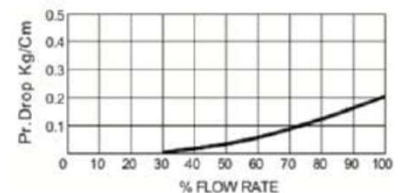
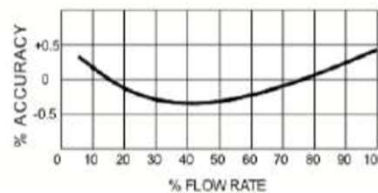
The 6620 was especially designed keeping in mind bespoke MOCs for corrosive acids like hydrochloric, sulfuric and picric acids while ensuring high accuracy and repeatability

Fluidyne's Positive Displacement flowmeters do not require straight lengths or stable and laminar flow profiles because volume is directly measured and not inferred from flow rate in line.

Technical Specifications

Sizes	DN 06/15/25/40
Flow range	3 LPH to 6,000 LPH
Accuracy	±0.1% of reading
Repeatability	Better than ±0.1% of reading
Maximum Operating Pressure	20 bar
Maximum Operating Temperature	150 deg C
User Interface	Built-in 8x2 dot matrix with single operating key
Display parameters	Current Totalizer (resettable) upto 1 million liters Cumulative Totalizer (nonresettable) upto 1 million liters Instantaneous flow rate
Enclosure Mounting	Integral/Remote Mounted
End connections	Threaded – BSPF/NPT
Material of Construction	Wetted parts – Hastelloy C/C276 Alloy 20, Hastelloy B/SS316L Piston – PEEK/Kynar/Ryton Seals – Teflon
Output Options	<ul style="list-style-type: none"> • RS485/Modbus RTU • 4-20 mA • Foundation Fieldbus • Pulse output

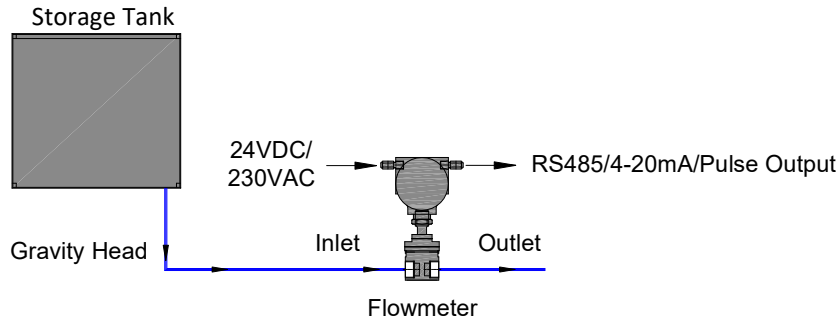
Typical Accuracy and Pressure Drop Characteristics



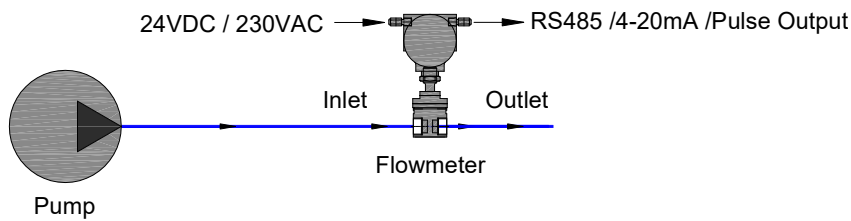
Features

- Special material construction in Hastelloy C/C276, Alloy 20/ SS316L/ Hastelloy B
- Suitable for all concentrations of hydrochloric acid, sulfuric acid, nitric acid, organic acids
- Threaded connections available
- Accuracy of ±0.1% of reading
- Low pressure drop allows gravity head operation
- Maximum operating temperature 150 °C
- Maximum operating pressure of 20 bar
- Optional battery powered electronics
- Choice of ATEX certified explosion-proof and weatherproof enclosures
- Useful outputs such as RS485/Modbus, Foundation Fieldbus, 4-20 mA, Pulse Output available for DCS and PLC integrations

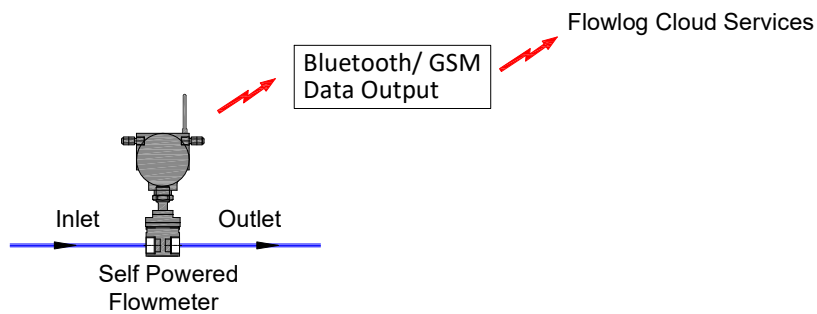
Application 1 - Industrial Automation With Gravity Head Output



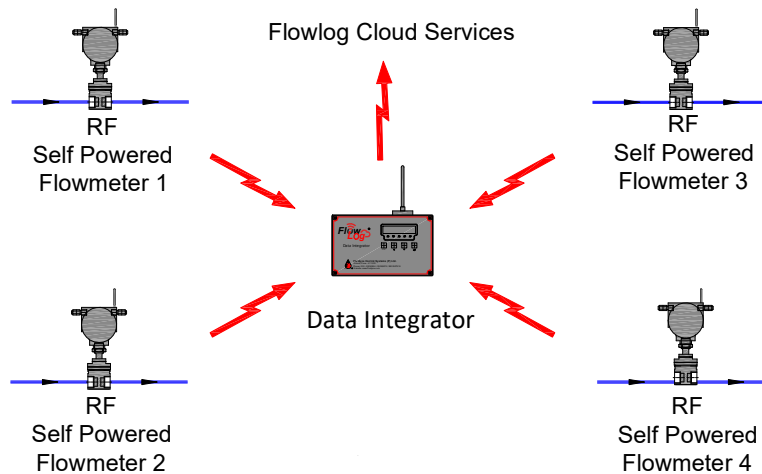
Application 2 - Pump Based Transfer



Application 3 - Bluetooth/IOT Data Output



Application 4 - RF Based IOT Data Output From Multiple Flowmeters



RO1

